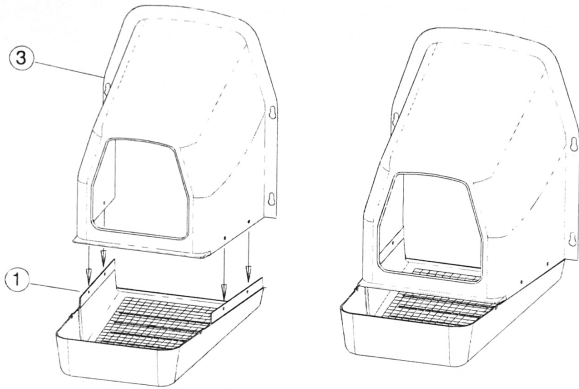
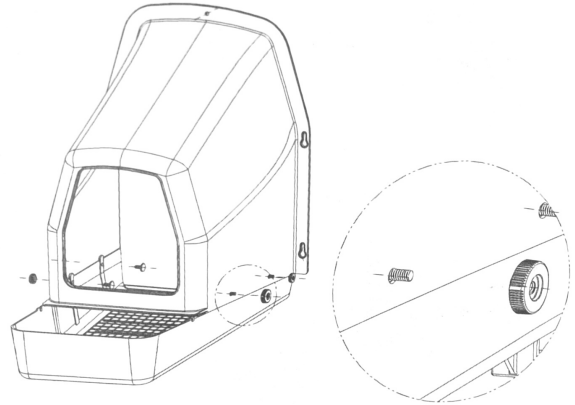


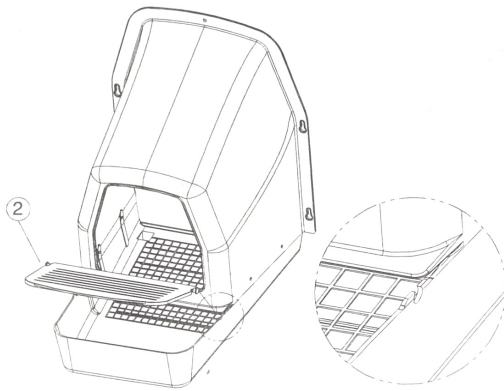
A8186 Poultry Nesting Box



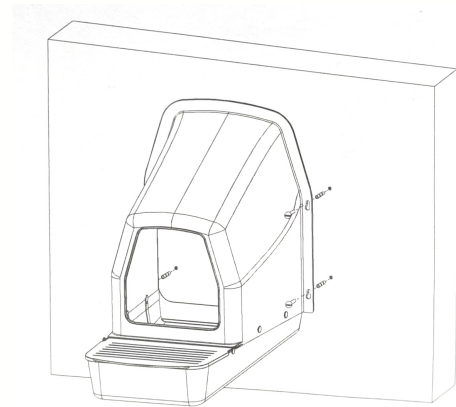
Align the holes of the basket (1) & nesting box (3) as shown (upper body to the outside)



One at a time, push the bolts through the holes from the outside. Attach white nut



Attach lid (2) to basket as shown. Press down until the lid snaps into the grooved indents in the basket



Use nesting box as template to mark and drill holes in the wall. Insert plastic screw anchor into each hole. Use screws to attach the nesting box to the wall

Plastic Poultry Nesting Box with Rollaway Tray

Easily wall mounted and suitable for indoor use

Features

- ✓ Premium quality plastic nesting box
- ✓ Rollaway design for easy collection of eggs
- ✓ Sloped roof reduces roosting
- ✓ Eggs are protected from pecking



Distributed by



Acto Agriculture NZ Ltd
40 Spartan Road
Takanini 2105

Part number A8186